

Dear customer,

Thank you for your confidence in us having purchased a **geo-FENNEL** instrument.  
This manual will help you to operate the instrument appropriately.

Please read the manual carefully - particularly the safety instructions. A proper use only guarantees a longtime and reliable operation.

geo-FENNEL  
Precision by tradition.

## Contents

1. Supplied with	<b>A</b>
2. Features	<b>B</b>
3. Operation	<b>C</b>
4. Safety notes	<b>D</b>

## **A** SUPPLIED WITH

- Self-levelling 5 Point Laser Geo5P
- Multi-functional mount
- Magnetic target
- 3 x AA Alkaline battery
- Padded carrying case
- User manual

## FUNCTIONS

For plumbing, alignments, levelling, transfer of points and many more applications.

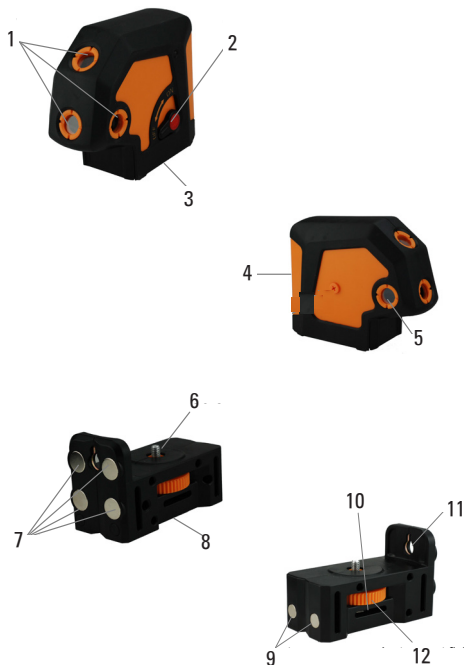
## Technical data

Self-levelling range	±3,5°
Accuracy	± 2 mm / 10 m
Working range	30 m*
Laser diode	635 nm
Laser class	2
Power supply	3 x AA Alkaline batteries
Operating time	20 h
Temperature range	-10°C to +50°
Protection class	IP 54
Weight (instrument only)	0,5 kg

\*depending on the room illumination

## FEATURES

1. Laser emitting window
2. ON/OFF knob
3. 1/4" thread for camera tripod
4. Battery compartment cover
5. Laser emitting window
6. 1/4" adapter
7. Magnets
8. 5/8" thread for builder's tripod
9. Magnets
10. Slits for fixing belts
11. Hanging hole
12. Screw for fixing the instrument on the multi-functional mount.



## C OPERATION

Insert the batteries

- Open the battery compartment cover (4) and insert 3 x AA Alkaline batteries (ensure correct polarity). Close the battery compartment cover. The flashing ON/OFF LED shows that the batteries have to be replaced.
- Power on the instrument with the ON/OFF knob (2).



- 5 laser points will be projected simultaneously (up, down, forward, left, right).
- A visual (blinking laser points) and audible alarm indicates that the unit was set up outside of the compensator range. Set it up on a more even surface!
- Geo5P can be connected to a camera tripod or a floor-to-ceiling pillar by means of the 1/4" thread (3).

### MULTI-FUNCTIONAL MOUNT

Connect Geo5P to the multi-functional mount. Now it can be connected to a builders' or elevating tripod by means of the 5/8" thread.

The multi-functional mount offers various possibilities of use.



Attach it to metal parts by use of the incorporated magnets.

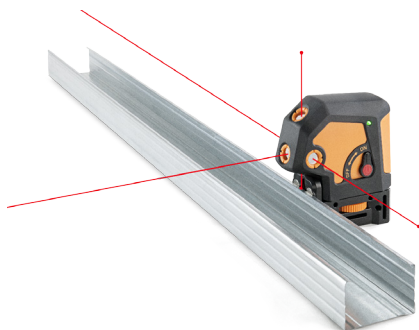


Fix it to horizontal or vertical frames, poles, pipes, ... by use of the fixing strap.



Fix the instrument to a nail / screw with the hole of the multi-functional mount.

#### EXAMPLE OF APPLICATION



#### ACCURACY CHECK

Set up instrument parallel to a wall at a distance of 10 m. Switch the instrument on.

Mark a visible laser point "A" at the wall. Turn the unit by 90° to the right and mark laser point „B“. Turn the instrument by 180° to position "B" and mark laser point "C".

The horizontal deviation of the 3 marked points A, B and C must not exceed 4 mm.

If the deviation exceeds 4 mm the instrument is out of tolerance. In this case please contact an authorized workshop.

## D SAFETY NOTES

### SPECIFIC REASONS FOR ERRONEOUS MEASURING RESULTS

Measurements through glass or plastic windows; dirty laser emitting windows; after the instrument has been dropped or hit. Please check the accuracy.

Large fluctuation of temperature: If the instrument will be used in cold areas after it has been stored in warm areas (or the other way round) please wait some minutes before carrying out measurements.

### CARE AND CLEANING

Handle measuring instruments with care. Clean with soft cloth only after any use. If necessary damp the cloth with some water. If the instrument is wet clean and dry it carefully. Pack it up only if it is perfectly dry. Transport in original container / case only.

### ELECTROMAGNETIC ACCEPTABILITY (EMC)

It cannot be completely excluded that this instrument will disturb other instruments (e.g. navigation systems); will be disturbed by other instruments (e.g. intensive electromagnetic radiation nearby industrial facilities or radio transmitters).

### CE-CONFORMITY

The instrument has the CE-mark according to EN 61326:1997, EN 55022, EN 61000-4-2/-3.

### WARRANTY

This product is warranted by the manufacturer to the original purchaser to be free from defects in material and workmanship under normal use for a period of two (2) years from the date of purchase. During the warranty period, and upon proof of purchase, the product will be repaired or replaced (with the same or similar model at manufacturers option), without charge for either parts or labour. In case of a defect please contact the dealer where you originally purchased this product. The warranty will not apply to this product if it has been misused, abused or altered. Without limiting the foregoing, leakage of the battery, bending or dropping the unit are presumed to be defects resulting from misuse or abuse.

### EXCEPTIONS FROM RESPONSIBILITY

1. The user of this product is expected to follow the instructions given in the user manual. Although all instruments left our warehouse in perfect condition and adjustment the user is expected to carry out periodic checks of the product's accuracy and general performance.
2. The manufacturer, or its representatives, assumes no responsibility of results of a faulty or intentional usage or misuse including any direct, indirect, consequential damage, and loss of profits.
3. The manufacturer, or its representatives, assumes no responsibility for consequential damage, and loss of profits by any disaster (earthquake, storm, flood etc.), fire, accident, or an act of a third party and/or a usage in other than usual conditions.
4. The manufacturer, or its representatives, assumes no responsibility for any damage, and loss of profits due to a change of data, loss of data and interruption of business etc., caused by using the product or an unusable product.
5. The manufacturer, or its representatives, assumes no responsibility for any damage, and loss of profits caused by usage other than explained in the users' manual.
6. The manufacturer, or its representatives, assumes no responsibility for damage caused by wrong movement or action due to connecting with other products.

## INTENDED USE OF INSTRUMENT

The instrument emits a visible laser beam in order to carry out the following measuring tasks (depending on the instrument): Setting up heights, horizontal and vertical planes, right angles.

## SAFETY INSTRUCTIONS

- Follow up the instructions given in the user manual.
- Do not stare into the beam. The laser beam can lead to eye injury. A direct look into the beam (even from greater distance) can cause damage to your eyes.
- Do not aim the laser beam at persons or animals.
- The laser plane should be set up above the eye level of persons.
- Use the instrument for measuring jobs only.
- Do not open the instrument housing. Repairs should be carried out by authorized workshops only. Please contact your local dealer.
- Do not remove warning labels or safety instructions.
- Keep the instrument away from children.
- Do not use the instrument in explosive environment.
- The user manual must always be kept with the instrument.

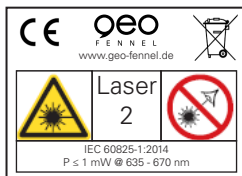
## LASER CLASSIFICATION

The instrument is a laser class 2 laser product according to DIN IEC 60825-1:2014.

It is allowed to use unit without further safety precautions.

Eye protection is normally secured by aversion responses and the blink reflex.

The laser instrument is marked with class 2 warning labels.



### Please note:

**If you return instruments for repair / for adjustment to us please disconnect batteries or rechargeable batteries from the instrument - this is for safety reasons!**

**Thank you.**